

C-600P

**Fixed Speed
Mechanical Cam
Output Adjustment**



Features:

- All ball bearing, permanently lubricated gear motor for smooth, quiet, powerful operation.
- Double-ball inlet and outlet cartridge type ceramic check valves. Chemical resistant PVDF valve body and fitting, ceramic balls, Viton static seals and TFE/P ball seat o-rings. No metal springs are used.
- Outputs to 516 GPD.
- Output pressures to 125 PSI.
- Stroke adjustment from 4-100% permits accurate small injections at a high rate per minute. 27:1 turndown
- Teflon coated EP diaphragm.
- Durable metal epoxy coated construction.
- PVDF suction (foot) valve with Viton and TFE/P o-rings, ceramic check ball and removable polypropylene filter screen.
- Includes 3/8" OD suction and discharge tubing, Injection fitting with spring-loaded check valve and all mounting

Specifications:

Max. working pressure:125 psig (8.6 bar)
 Max. fluid temperature:130° F (54° C)
 Max. ambient temperature: ..14° to 110° F/ -10° to 43° C
 Maximum viscosity:1,000 Centipoise
 Maximum suction lift:10 ft. Water 0 psig
 Output adjustment range:4-100% stroke length
 Duty cycle:.....Continuous
 Enclosure:NEMA type 1, (IP20)

Voltage (amp draw):115VAC/60Hz, 1ph (.74 amp max)
230VAC/60Hz, 1ph (.36 amp max)
220VAC/50Hz, 1ph (.31 amp max)
24VAC/60Hz, 1ph (3.40 amp max)
12VDC (3.00 amp max)
24VDC (1.50 amp max)
 Power Connection:Junction box for field wiring
 Approximate shipping wt:8 lb. (3.6 kg)

Materials of Construction: Wetted components:

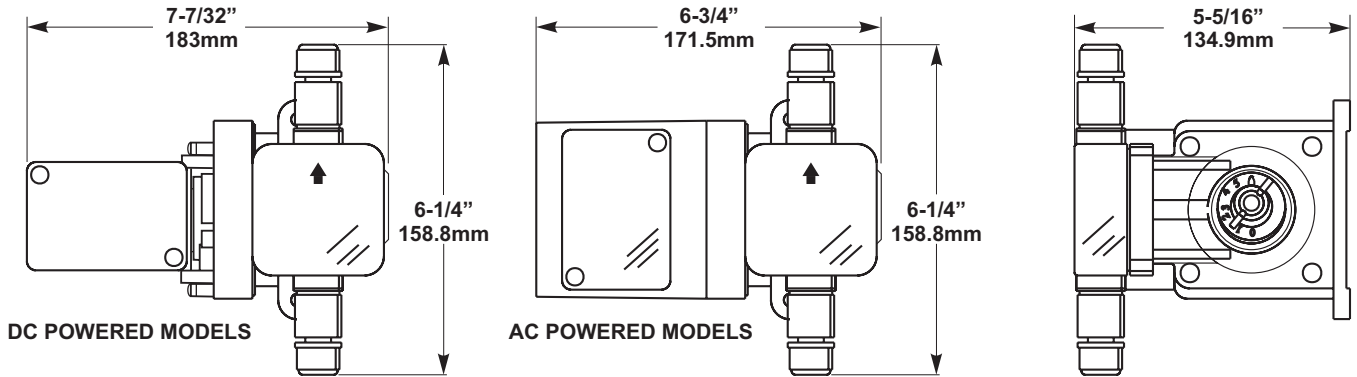
Pump Head:Polypropylene (options: Teflon, Acrylic)
 Pump Head Inlet/outlet Valves:
 Cartridge valve body:PVDF
 Tube adapters:PVDF
 Check Balls:Ceramic
 Ball Seat O-ring:TFE/P (optional EP)
 Static Seal O-ring:Viton[®] (optional EP)
 Suction Tubing:Clear PVC
 Discharge Tubing:Natural Polyethylene (LLDPE)

Suction Footvalve/Strainer:
 Body & Tubing adapter:PVDF (optional Teflon)
 Strainer:Polypropylene
 Check Ball:Ceramic (optional Teflon poppet)
 Ball Seat O-ring:TFE/P (optional EP)
 Static Seal O-ring:Viton[®] (optional EP)
 Injection/Check valve:
 Body & insert:Polypropylene (optional PVDF, Teflon)
 Check Ball:Ceramic (optional Teflon poppet)
 Spring:Hastelloy C-276
 Ball Seat O-ring:TFE/P (optional EP)
 Static Seal O-ring:Viton[®] (optional EP)

Blue-White Industries, Ltd.

CHEM-FEED[®] Diaphragm Metering Pumps

Dimensions:



Model Number Matrix:

MODEL C-6		P	-
Maximum Motor RPM			
14 = 14 RPM	60 = 60 RPM		
30 = 30 RPM	125 = 125 RPM		
45 = 45 RPM	250 = 250 RPM		
Pump Head / Wet Parts			
P = Heavy duty cartridge style polypropylene head			
HV = High volume output acrylic head			
Power Supply Voltage			
115VAC = 115V/60Hz			
220VAC = 220V/50Hz (20% less output)			
230VAC = 230V/60Hz			
24VAC = 24V/60Hz			
12VDC = 12V DC			
24VDC = 24V DC			

Flow rate and pressure capacities:

AC powered models:

Max Output at 0 PSI				Strokes	Max	115V/60Hz	230V/60Hz	220V/50Hz*
GPD	GPH	LPH	OZ/MIN	Per minute	PSI	Model Number	Model Number	Model Number
24	1.0	3.8	2.7	14	125	C-614P-115VAC	C-614P-230VAC	C-614P-220VAC
58	2.4	9.3	5.2	30	125	C-630P-115VAC	C-630P-230VAC	C-630P-220VAC
91	3.8	14.9	8.1	45	80	C-645P-115VAC	C-645P-230VAC	C-645P-220VAC
110	4.6	17.4	9.8	60	60	C-660P-115VAC	C-660P-230VAC	C-660P-220VAC
237	9.9	37.0	21.1	125	30	C-6125P-115VAC	C-6125P-230VAC	C-6125P-220VAC
389	16.2	61.4	34.6	250	10	C-6250P-115VAC	C-6250P-230VAC	C-6250P-220VAC

* Note: 220V/50Hz models deliver approximately 20% less output.

DC powered models:

Max Output at 0 PSI				Strokes	Max	12V DC	24V DC
GPD	GPH	LPH	OZ/MIN	Per minute	PSI	Model Number	Model Number
33	1.4	5.3	2.9	14	125	C-614P-12VDC	C-614P-24VDC
74	3.1	11.7	6.5	30	125	C-630P-12VDC	C-630P-24VDC
112	4.7	17.8	10.0	45	80	C-645P-12VDC	C-645P-24VDC
148	6.2	23.5	13.2	60	60	C-660P-12VDC	C-660P-24VDC
316	13.2	49.9	28.1	125	30	C-6125P-12VDC	C-6125P-24VDC
516	21.5	81.4	45.8	250	10	C-6250P-12VDC	C-6250P-24VDC

Maximum Output vs. Pressure Curve

